

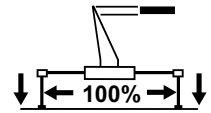
# FASSI

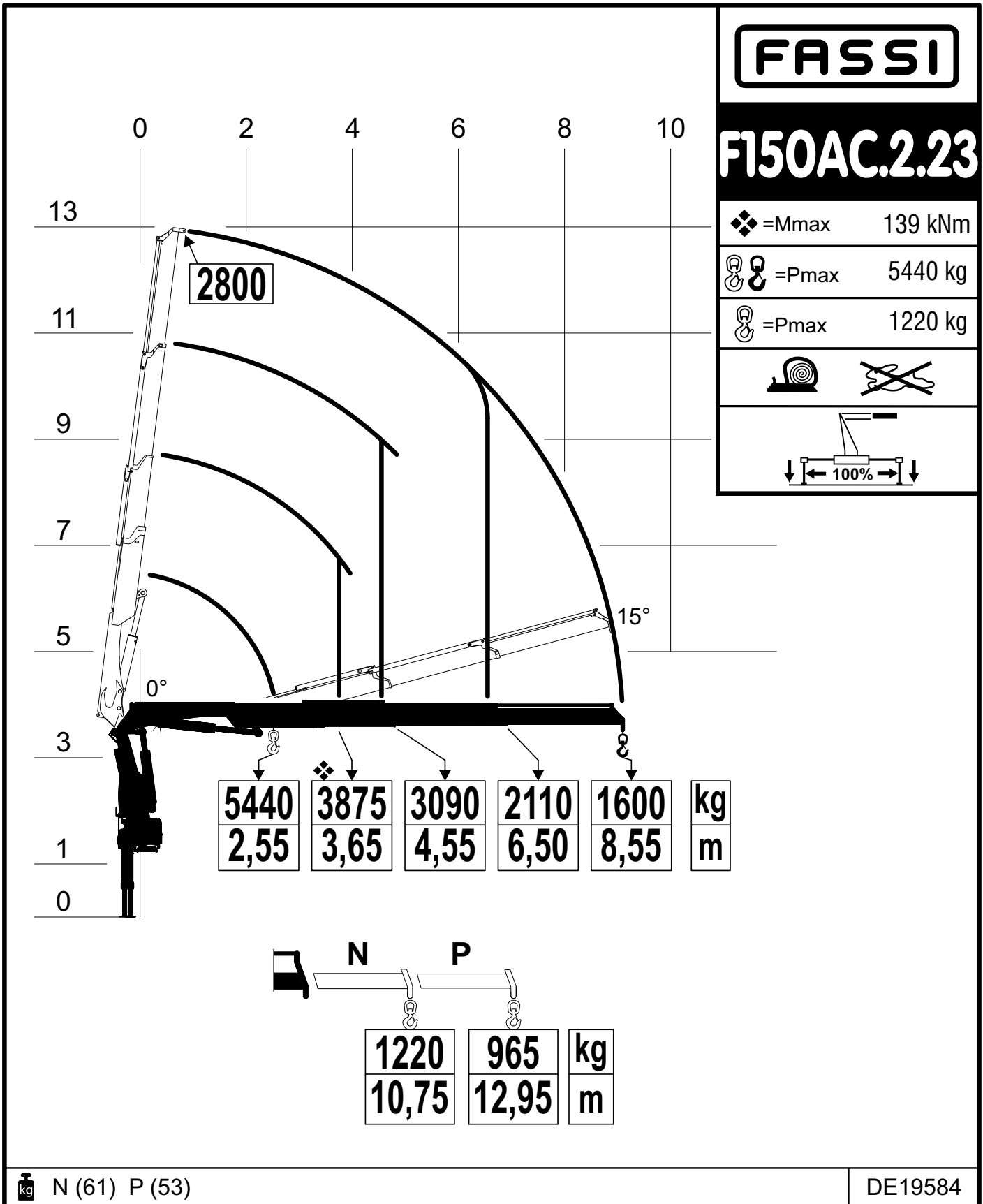
## F150AC.2.22

◆ = Mmax 141 kNm

⊗ = Pmax 5560 kg

⊗ = Pmax 1630 kg





Via Roma, 110  
 14021 Albino (BG)  
 Tel.: +39 035 776400  
 Fax: +39 035 755020  
 www.fassi.com  
 fassi@fassi.com

LOAD DIAGRAM WITH LIFTING MOMENT LIMITING DEVICE

