



SPX328

LITHIUM BATTERY POWERED

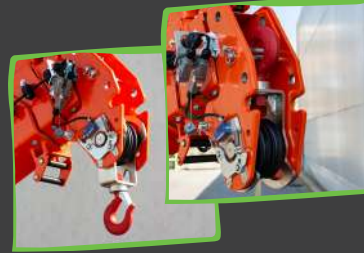


REMOTE CONTROL



- ✓ Intuitive layout
- ✓ Proportional & precise
- ✓ Spare Battery on board
- ✓ Self levelling button
- ✓ Automatic pulley block recovery button

MAIN BOOM HOOK



- ✓ Innovative foldaway hook
- ✓ Immediate switch between hook or winch mode
- ✓ 2800 kg MAX capacity
- ✓ 10,5 m MAX height



SPECIAL FEATURES

- ✓ Jekko Telematic Port (JTP)
- ✓ Anti jerk lifting system

JEKKO TOUCH EXPERIENCE

- ✓ 10" waterproof (IP66) touch screen
- ✓ Innovative & intuitive graphics
- ✓ Live load-chart and stability area
- ✓ Easy USB stick SW update
- ✓ Video tutorial & Crane assistant



AUTOMATIC PULLEY BLOCK RECOVERY



360° ENDLESS ROTATION

UP TO 125 M WINCH



BATTERY + HYDRAULICS = LONG LASTING & ENERGY SAVING

- ✓ Lithium battery pack
- ✓ Jekko Dynamic Pressure Control (JDCP)

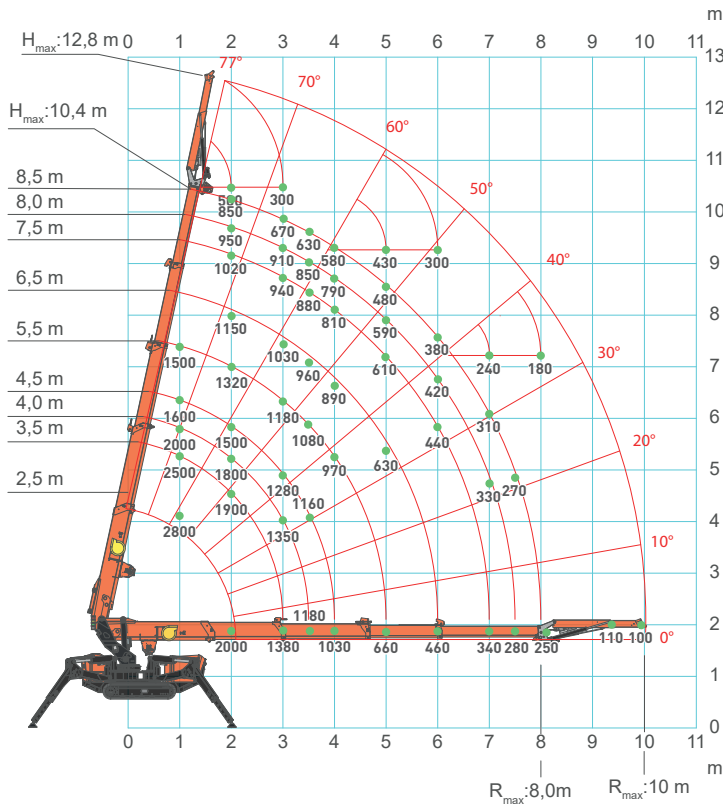


SELF-LEVELLING OUTRIGGERS





LOAD CHART



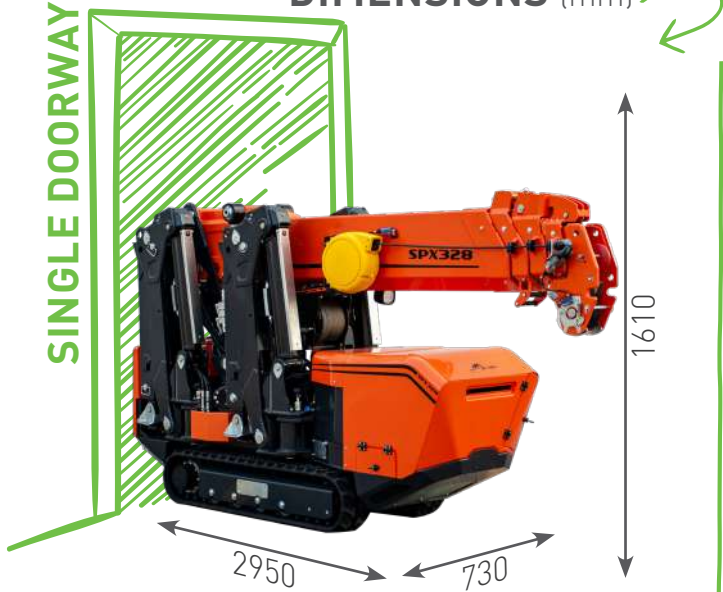
SCAN FOR MORE TECHNICAL DATA



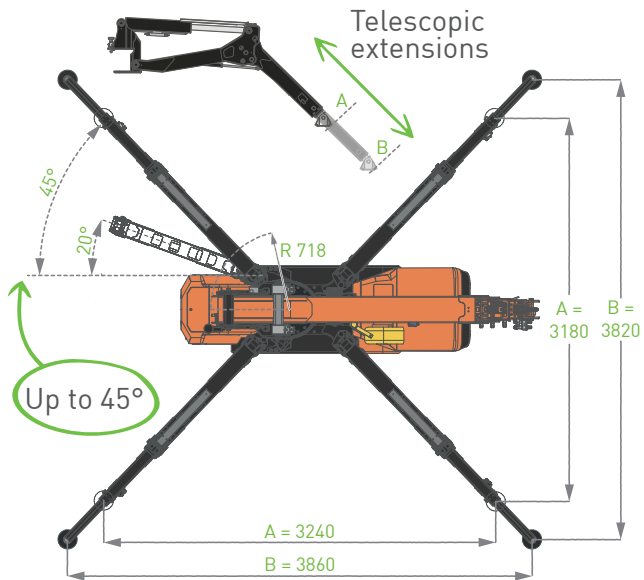
	Kg
SPX328	2300
Winch	52
Electric Jib	150



DIMENSIONS (mm)



FOOTPRINT (mm)



ACCESSORIES

JVM800-R
Glass manipulator

500 kg ELECTRIC JIB

1 ton RUNNER JIB
Stored on board.

